

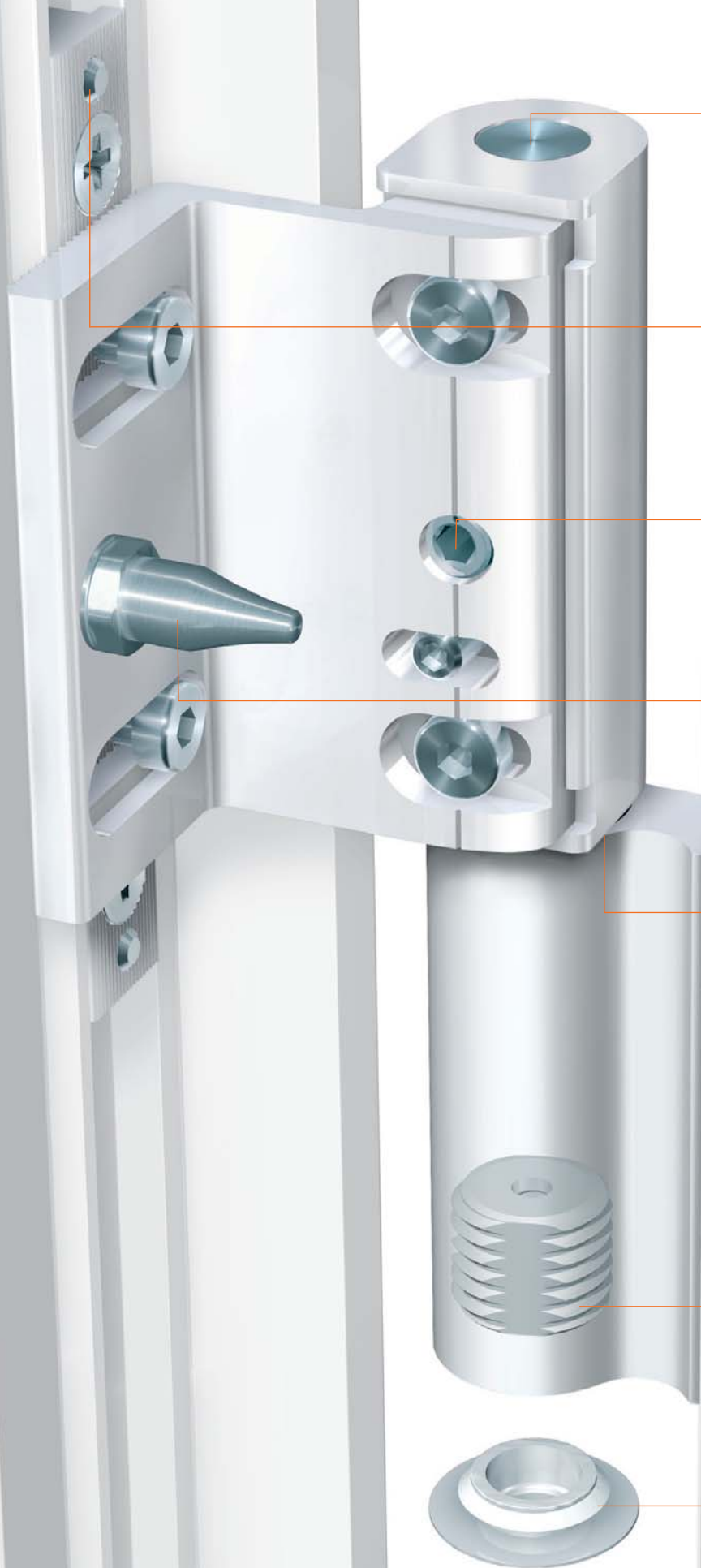


Hahn KT-R

Butt hinge for plastic doors



...mit
hahnfunction[®]





Hahn KT-R

Butt hinge for plastic doors

Wear-resistant bearing pin
made of stainless steel

Adaptor plates for stable
mounting

Horizontal adjustment,
infinitely variable ± 3 mm
with door mounted

Anti-intruder protection
through stainless steel
securing pin (accessories)

Adjustment of sealing
pressure $+ 0.5$ mm by
turning the bearing bushing

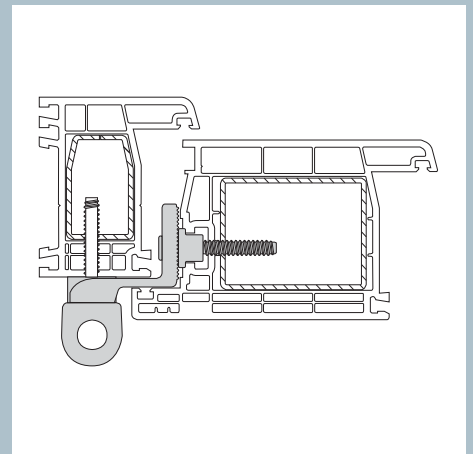
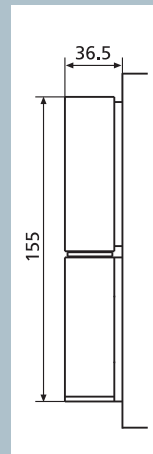
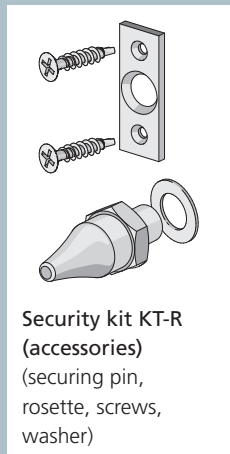
Easy installation due to direct
mounting on frame and door

Height adjustment, infinitely
variable $+3$ mm / -1 mm with
door mounted

Plastic cap covers height
adjusting mechanism

Further advantages:

- Suitable for all major system profile sections
- No misalignment even after adjustment
- Doors open up to 180°
- Can be used for left/right-hand doors
- Defined zero position of horizontal adjustment
- Max. permissible door weight 100 kg, depending on design of door frame
- Largely pre-assembled
- Bearing-unit maintenance free





Modern look – Efficient function

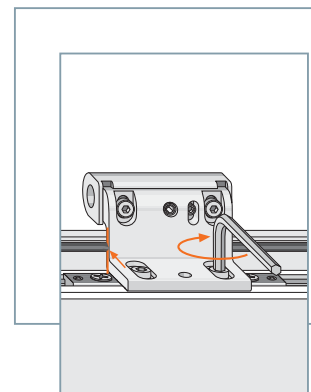
The trend is the butt hinge.

With the KT-R hinge Dr.Hahn offers a hinge that gives the plastic door a form and a functionality that upgrades its looks.

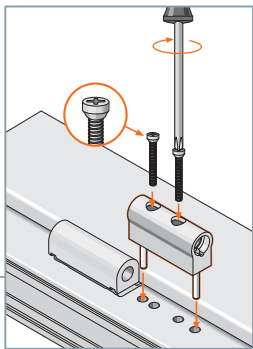
To achieve this improved look, we have paid special attention that even under extreme adjustment conditions, the hinge is still within alignment. This way, the butt hinge keeps its good appearance. The height adjustment is additionally kept hidden by a plastic cap.



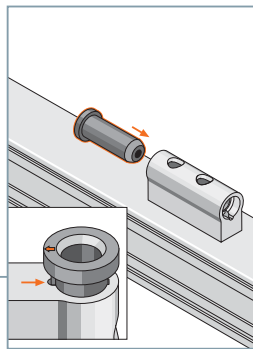
Assembly indication



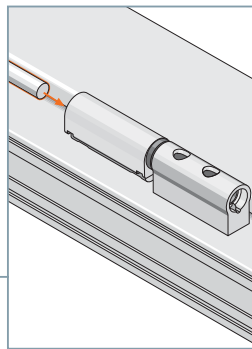
Tighten the screws in door hinge part until it is tight against the door.



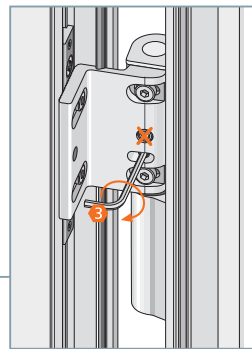
Place hinge on frame and screw down.



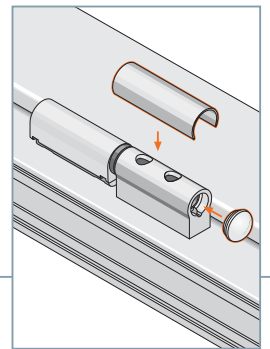
Insert bearing bushing, mark must point towards section.



Insert pin from the top through both hinge parts until it goes no further.

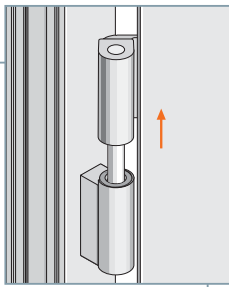


Important! Secure the pin using a set screw.

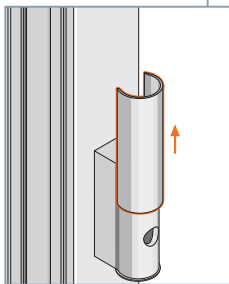


Snap on shell and insert cap.

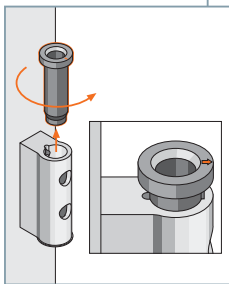
Adjustment indication



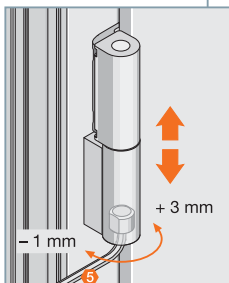
Adjust sealing pressure
Take the door off its hinges.



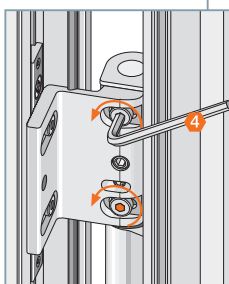
Slide the shell upwards.



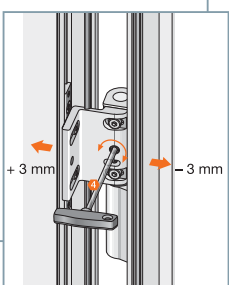
Turn the bearing bushing 180°.



Height adjustment
Adjust door to the desired height using the lifting/lowering spindle.



Horizontal adjustment
Slightly loosen fastening screws on door hinge part.



Adjust using a hexagon socket screw key and hold in position.

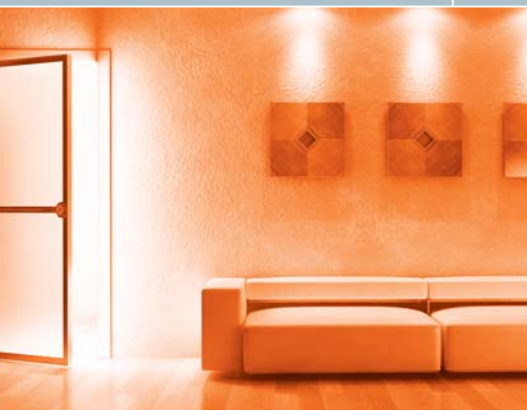
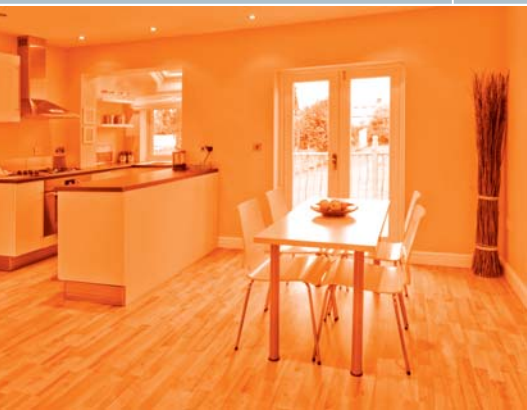


Versatile application – New technique

The Hahn KT-R hinge is applicable with almost all current plastic profiles. It can be adjusted 3-dimensionally.

Manufactured from extruded aluminium, when applied, 2 hinges can carry a doorleaf with a weight of 100 kg, depending on the type of profile. The hinge is applicable for DIN-left and DIN-right doors and can be applied to inward-going as well as outward-going doors. De opening angle is 180°.

As with all Hahn hinges the bearing point of the KT-R is totally maintenance-free and in all current RAL-colours available. For a quick and easy assembly we have the fitting jigs on offer.



Individual parts



- | | |
|---|-------------------------------------|
| 1 Door hinge part complete | 7 Front cover |
| 2 Mounting plate | 8 Screws for frame hinge part |
| 3 Mounting plate | 9 Screws for mountain plate |
| 4 Bearing bushing | 10 Pan head screw for mounting door |
| 5 Frame hinge part with vertical adjustment spindle | 11 Cap |
| 6 Bearing pin | |



Detailed installation instructions – also in hinge box.

24 hinge pallet box – all hinge parts are ready at hand on 2 levels.

Hahn KT-R

Item numbers

Packaging unit = 1 piece box of 24 hinges available on request

KT-R 16/3.0 mm hinge groove	RAL 9010	No. K702E0000
	RAL 9016	No. K702G0000
	RAL 8077	No. K70250000
KT-R 20/3.5 mm hinge groove	RAL 9010	No. K702E0001
	RAL 9016	No. K702G0001
	RAL 8077	No. K70250001
KT-R 16/3.5 mm hinge groove	RAL 9010	No. K702E0002
	RAL 9016	No. K702G0002
	RAL 8077	No. K70250002
KT-R for VEKA-Softline 70 and VEKA-Topline	RAL 9010	No. K703E0003
	RAL 9016	No. K703G0003
	RAL 8077	No. K70350003

Accessories

Drilling jig	16/3.0 mm hinge groove	No. T311A0002
	20/3.5 mm hinge groove	No. T311A0001
	16/3.5 mm hinge groove	No. T311A0002
	24/3.0 mm hinge groove	No. T311A0003
Drilling jig comprises two parts!		
Security kit KT-R (Securing pin, rosette, screws, washer)		No. K750A0000
Drilling jig for security kit KT-R		No. T300B0090
Drilling jig Ø 5 mm/Ø 15 mm		Nr. A650A0040
Drilling jig for security kit KT-R		No. T311A0050
Door hinge part complete		No. K700B0001
Mounting plate	16/3.0 mm hinge groove	No. K700B0002
	20/3.5 mm hinge groove	No. K700B0003
	16/3.5 mm hinge groove	No. K700B0010
	24/3.0 mm hinge groove	No. K700F0007
Cap	black	No. K700K0002
	white	No. K700K0003
Bearing pin		No. K700E0001
Bearing bushing	black	No. K700K0000
	white	No. K700K0001
Frame hinge part with vertical adjustment spindle		No. K700B0000
Front cover		No. K700F0004
Screws for frame hinge part		No. K400E0014
Screws for mounting part		No. 9000521
Pan head screw for mountain door part of hing		M6 x 12
Hahn Automatic bar drilling jig for 3 hinges	16/3.0 mm hinge groove	No. T412A0001
	16/3.5 mm hinge groove	No. T412A0001
	20/3.5 mm hinge groove	No. T412A0002
	24/3.0 mm hinge groove	No. T412A0003